

**DISCONTINUED
PRODUCT**

OVERVIEW

The SM5013 Series crystal oscillator module ICs fabricated in NPC's Molybdenum-gate CMOS. They comprise low-voltage low-current consumption

oscillator circuits and output buffers. They incorporate built-in oscillation capacitance with superior frequency response to realize.

FEATURES

- 4.5 to 5.5 V supply voltage
- Oscillation capacitances built-in (C_G and C_D)
- Output drive capability : 8 mA ($V_{DD} = 4.5V$)
- Output duty level
 - SM5013KDH : CMOS
 - SM5013LDH : TTL
- 3rd overtone oscillation
- Output frequency : f_o (Oscillation frequency)
- Input level : TTL
- 3 state function
- 6 pin SOT (SM5013×DH)
- Chip form (CF5013×D)

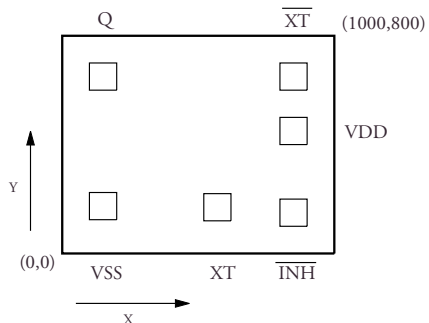
ORDERING INFORMATION

Device	Package
SM5013×DH	6pinSOT
CF5013×D	Chip form

DISCONTINUED
SM5013 series
PRODUCT

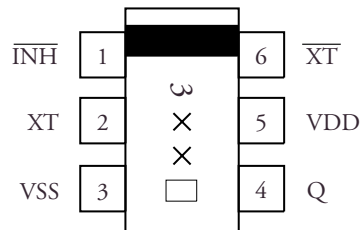
PAD DIMENSIONS

(UNIT : μm)



PIN OUT

(Top View)



PAD COORDINATES

Pad	Coordinate(μm)	
	X	Y
VSS	150	174
XT	570	170
INH-bar	850	150
VDD	850	450
XT-bar	850	650
Q	150	650

PIN DESCRIPTIONS

PIN	DESCRIPTION
XT	Oscillator input pin
XT-bar	Oscillator output pin
INH-bar	Output state control input pin (with built-in pull-up resistance
VDD	Supply voltage
VSS	Ground
Q	Output pin (fo : Oscillator frequency)

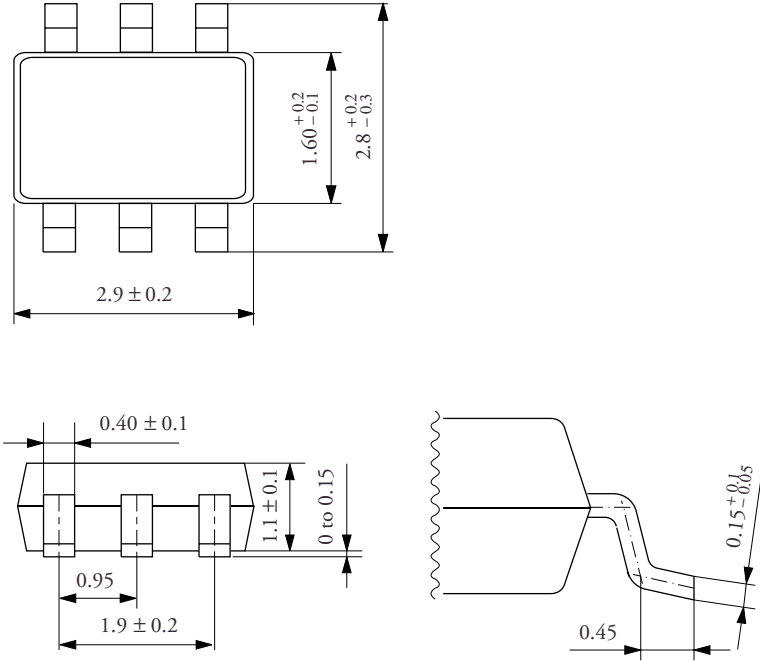
Chip size : $1.00 \times 0.80\text{mm}$
 Chip thickness : $250 \pm 30\mu\text{m}$
 Chip reverse side : V_{DD} level

DISCONTINUED
SM5013 series
PRODUCT

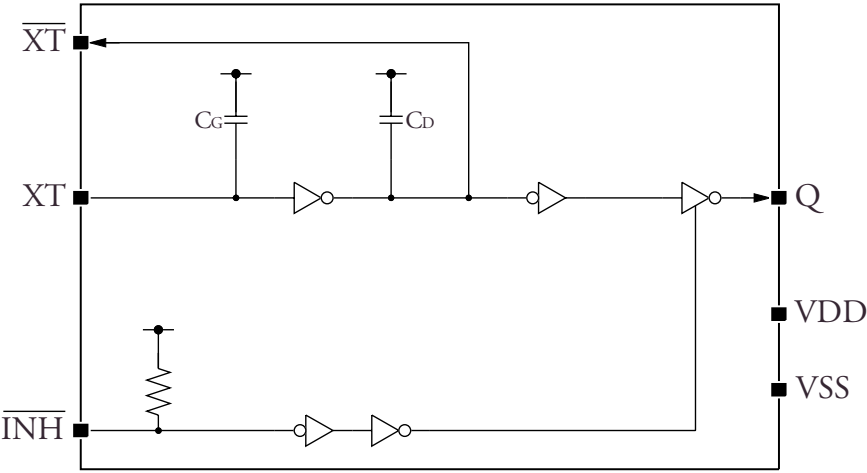
PACKAGE DIMENSIONS

(UNIT : mm)

- 6pin SOT



BLOCK DIAGRAM



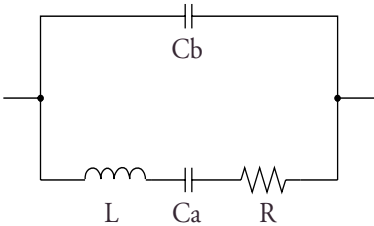
DISCONTINUED
SM5013 series
PRODUCT

DEVICE LIST

Device	Target frequency range (MHz)	gm (relative value)	Output (stand by)	Internal capacitance	
				C _G (pf)	C _D (pf)
CF5013KD	22 to 70	CMOS	Hi-Z	8	15
CF5013LD	22 to 70	TTL	Hi-Z	8	15

Note that the operating frequency is highly dependent on the frequency of the crystal used.

Current consumption and Output waveform with NPC's standard crystal



f (MHz)	R (Ω)	L (mH)	Ca (fF)	Cb (pF)
30	18.62	16.24	1.733	5.337
40	20.53	11.34	1.396	3.989
50	22.17	7.40	1.370	4.105
60	22.20	5.05	1.388	4.226
70	25.42	4.18	1.254	5.170

DISCONTINUED
SM5013 series
PRODUCT

SPECIFICATIONS

Absolute Maximum Ratings

$V_{SS} = 0V$, unless otherwise noted.

Parameter	Symbol	Condition	Rating	unit
Supply voltage range	V_{DD}		- 0.5 to + 7.0	V
Input voltage range	V_{IN}		- 0.5 to $V_{DD} + 0.5$	V
Output voltage range	V_{OUT}		- 0.5 to $V_{DD} + 0.5$	V
Operating temperature range	T_{opr}		- 40 to + 85	°C
Standard temperature range	T_{STG}	SOT6	- 55 to + 125	°C
		Chip form	- 65 to + 150	°C
Output current	I_{OUT}		13	mA
Power dissipation	P_W	SOT6	250	mW
Soldering temperature	T_{SLD}	SOT6	255	°C
Soldering time	t_{SLD}	SOT6	10	s

Recommended Operating Conditions

$V_{SS} = 0V$, unless otherwise noted.

Parameter	Symbol	Condition	Limit			unit
			min	typ	max	
Supply Voltage	V_{DD}		4.5	-	5.5	V
Input voltage	V_{IN}		V_{SS}	-	V_{DD}	V
Operating temperature	T_{OPR}		- 20	-	+ 80	°C

Electrical Characteristics

$V_{DD} = 4.5$ to $5.5V$, $V_{SS} = 0V$, $T_a = - 20$ to 80 °C, unless otherwise noted.

Parameter	Symbol	Condition	Limit			unit	
			min	typ	max		
HIGH - level output voltage	V_{OH}	Q pin, test circuit 1, $V_{DD} = 4.5V$, $I_{OH} = 8mA$	3.9	4.2	-	V	
LOW - level output voltage	V_{OL}	Q pin, test circuit 2, $V_{DD} = 4.5V$, $I_{OL} = 8mA$	-	0.3	0.4	V	
Output leakage current	I_Z	Q pin, test circuit 2, $\overline{INH} = Low$, $V_{DD} = 5.5V$	$V_{OH} = V_{DD}$	-	-	10	μA
			$V_{OL} = V_{SS}$	-	-	10	μA
HIGH - level input voltage	V_{IH}	\overline{INH} pin	2.0	-	-	V	
LOW - level input voltage	V_{IL}	\overline{INH} pin	-	-	0.8	V	
Current consumption	I_{DD}	$\overline{INH} = OPEN$, test circuit 3, $C_L = 15pF$, $f = 70MHz$	CF5013KD, load circuit 1	-	28	45	mA
			CF5013LD, load circuit 2	-	28	45	mA
Pull - up resistance	R_{UP}	\overline{INH} pin, test circuit 4	25	100	250	kΩ	
Internal capacitance	C_G	Design value, determined by the internal wafer pattern	7.2	8	8.8	pF	
	C_D		13.5	15	16.5	pF	

DISCONTINUED
SM5013 series
PRODUCT

Switching Characteristics

CF5013KD (Duty level CMOS)

$V_{DD} = 4.5$ to $5.5V$, $V_{SS} = 0V$, $T_a = -20$ to $80\text{ }^\circ\text{C}$, unless otherwise noted.

Parameter	Symbol	Condition	Limit			unit
			min	typ	max	
Output rise time	t_r	Test circuit 5, load circuit 1, $C_L = 15\text{pF}$, $0.1V_{DD} \rightarrow 0.9V_{DD}$	–	3.5	7	ns
Output fall time	t_f	Test circuit 5, load circuit 1, $C_L = 15\text{pF}$, $0.9V_{DD} \rightarrow 0.1V_{DD}$	–	3.5	7	ns
Output duty cycle ¹	DUTY	Test circuit 5, $T_a = 25^\circ\text{C}$, $V_{DD} = 5.0V$ load circuit 1, $C_L = 15\text{pF}$, $f = 70\text{MHz}$	45	–	55	%
Output disable delay time	t_{PLZ}	Test circuit 5, $T_a = 25^\circ\text{C}$, $V_{DD} = 5.0V$, load circuit 1, $C_L = 15\text{pF}$	–	–	100	ns
Output enable delay time	t_{PZL}		–	–	100	ns

1. Determined by the lot monitor.

CF5013LD (Duty level TTL)

$V_{DD} = 4.5$ to $5.5V$, $V_{SS} = 0V$, $T_a = -20$ to $80\text{ }^\circ\text{C}$, unless otherwise noted.

Parameter	Symbol	Condition	Limit			unit
			min	typ	max	
Output rise time	t_r	Test circuit 5, load circuit 2, $C_L = 15\text{pF}$, $0.4V \rightarrow 2.4V$	–	2.5	7	ns
Output fall time	t_f	Test circuit 5, load circuit 2, $C_L = 15\text{pF}$, $2.4V \rightarrow 0.4V$	–	2.5	7	ns
Output duty cycle ¹	DUTY	Test circuit 5, $T_a = 25^\circ\text{C}$, $V_{DD} = 5.0V$ load circuit 2, $C_L = 15\text{pF}$, $f = 70\text{MHz}$	45	–	55	%
Output disable delay time	t_{PLZ}	Test circuit 5, $T_a = 25^\circ\text{C}$, $V_{DD} = 5.0V$, load circuit 2, $C_L = 15\text{pF}$	–	–	100	ns
Output enable delay time	t_{PZL}		–	–	100	ns

1. Determined by the lot monitor.

FUNCTIONAL DESCRIPTION

Stand – by Function

When $\overline{\text{INH}}$ pin is Low-level, Q pin will be high-impedance.

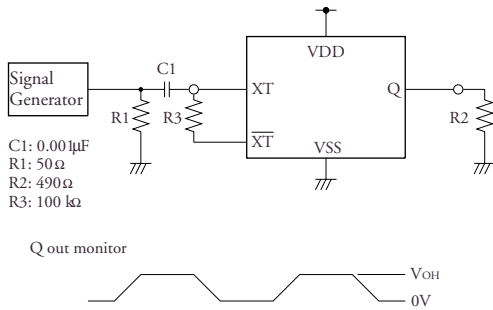
$\overline{\text{INH}}$	Q
High(open)	Output
Low	Hi - Z

DISCONTINUED
SM5013 series
PRODUCT

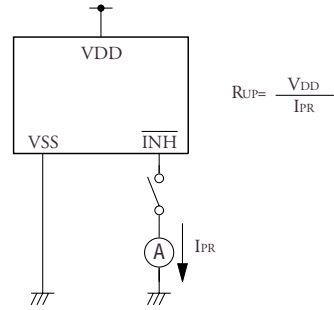
TEST CIRCUITS

Test Circuit 1

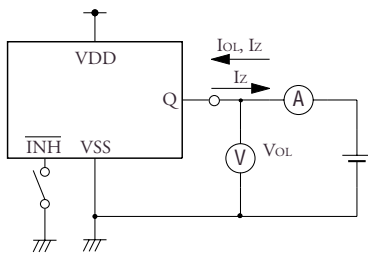
3.5 V_{P-P}, 10MHz sine wave input signal



Test Circuit 4

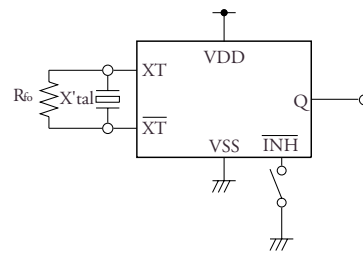


Test Circuit 2



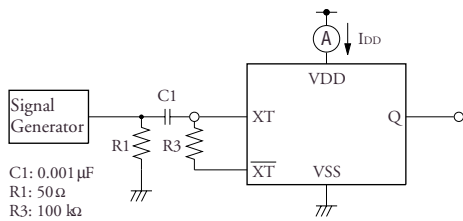
Test Circuit 5

X'tal = 70MHz
Rfo = 2.7kΩ



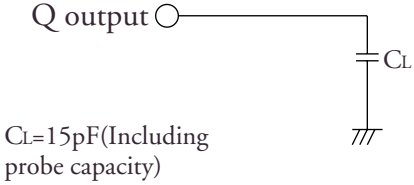
Test Circuit 3

3.5 V_{P-P}, 70MHz sine wave input signal



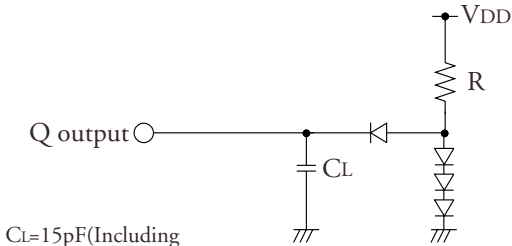
DISCONTINUED
SM5013 series
PRODUCT

Load Circuit 1



CL=15pF(Including
probe capacity)

Load Circuit 2



CL=15pF(Including
proove capacity)
R=800Ω

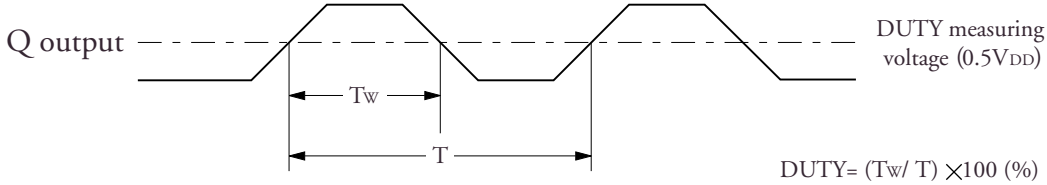
Switching Time Test Waveforms

(1) SM5013KD (Duty level CMOS)

- t_r , t_f , DUTY



- Output duty cycle time

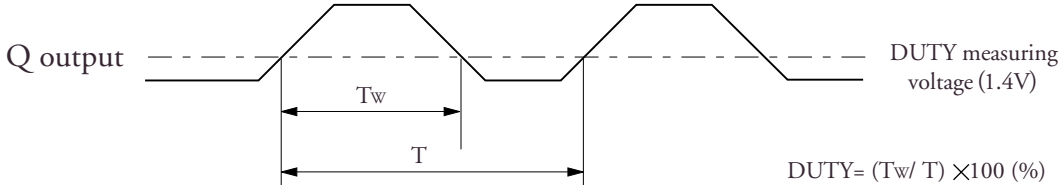


(2) CF5013LD (Duty level TTL)

- t_r , t_f , DUTY

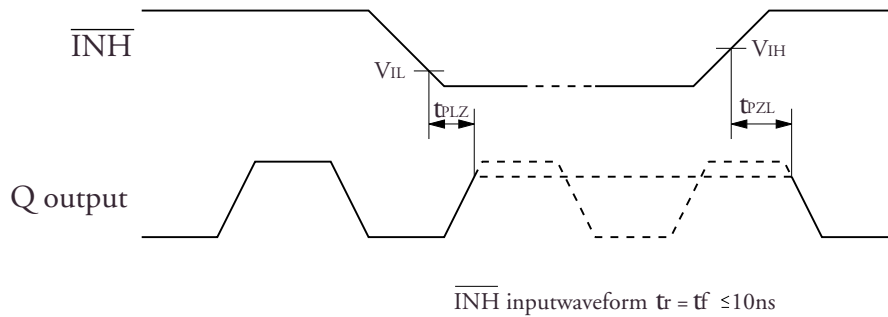


- Output duty cycle time



DISCONTINUED
SM5013 series
PRODUCT

• Output Disable/Enable Delay Times



NIPPON PRECISION CIRCUITS INC. reserves the right to make changes to the products described in this data sheet in order to improve the design or performance and to supply the best possible products. Nippon Precision Circuits Inc. assumes no responsibility for the use of any circuits shown in this data sheet, conveys no license under any patent or other rights, and makes no claim that the circuits are free from patent infringement. Applications for any devices shown in this data sheet are for illustration only and Nippon Precision Circuits Inc. makes no claim or warranty that such applications will be suitable for the use specified without further testing or modification. The products described in this data sheet are not intended to use for the apparatus which influence human lives due to the failure or malfunction of the products. Customers are requested to comply with applicable laws and regulations in effect now and hereinafter, including compliance with export controls on the distribution or dissemination of the products. Customers shall not export, directly or indirectly, any products without first obtaining required licenses and approvals from appropriate government agencies.

NPC
NIPPON PRECISION CIRCUITS INC.

NIPPON PRECISION CIRCUITS INC.

4-3, 2-chome Fukuzumi
Koto-ku, Tokyo 135-8430, Japan
Telephone: 03-3642-6661
Facsimile: 03-3642-6698

NC9621CE 1998.08